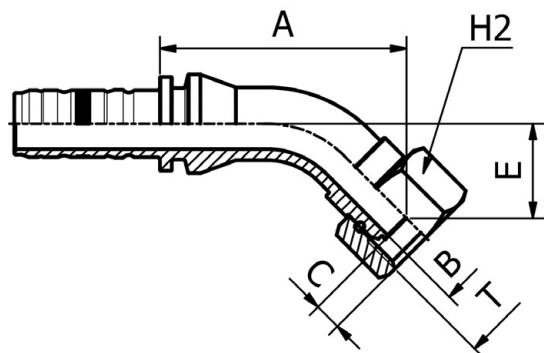


BS STANDARD CONNECTIONS



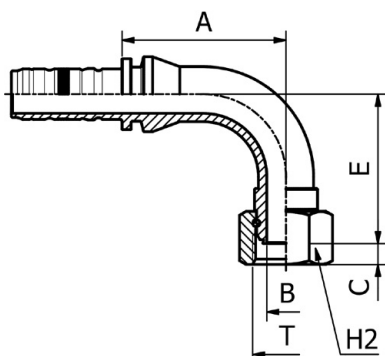
M80842

45° BSP
O-RING FEMALE SWEPT ELBOW 60° CONE
BS5200 / ISO 12151-6

PART. REF.	HOSE BORE			Thread	DIMENSIONS mm						
	DN	Dash	inch	T	B	A	C	E	H2		
M80842-12-12	19	- 12	3/4"	3/4" - 14	14.5	82.5	8.5	29.0	32.0		
M80842-12-16	19	- 12	3/4"	1" - 11	19.5	84.0	10.6	30.0	41.0		
M80842-16-12	25	- 16	1"	3/4" - 14	15.0	106.5	8.5	36.0	32.0		
M80842-16-16	25	- 16	1"	1" - 11	19.5	95.0	10.6	36.5	41.0		
M80842-16-16028	25	- 16	1"	1" - 11	19.5	84.0	10.6	28.0	41.0		
M80842-16-20	25	- 16	1"	1.1/4" - 11	26.1	109.5	10.5	38.0	50.0		
M80842-20-16	31	- 20	1.1/4"	1" - 11	19.5	102.0	10.6	36.5	41.0		
M80842-20-20	31	- 20	1.1/4"	1.1/4" - 11	26.0	99.0	10.5	39.0	50.0		
M80842-20-24	31	- 20	1.1/4"	1.1/2" - 11	32.0	114.0	12.5	54.0	60.0		
M80842-24-24	38	- 24	1.1/2"	1.1/2" - 11	32.0	122.5	12.5	45.0	60.0		
M80842-32-32	51	- 32	2"	2" - 11	42.0	155.0	16.1	66.0	70.0		

FITTINGS 228

BS STANDARD CONNECTIONS



M80892

90° BSP
O-RING FEMALE SWEPT ELBOW 60° CONE
BS5200 / ISO 12151-6

PART. REF.	HOSE BORE			Thread	DIMENSIONS mm						
	DN	Dash	inch	T	B	A	C	E	H2		
M80892-12-12	19	- 12	3/4"	3/4" - 14	14.5	73.5	8.5	60.0	32.0		
M80892-12-12050	19	- 12	3/4"	3/4" - 14	14.5	67.5	8.5	50.0	32.0		
M80892-12-16	19	- 12	3/4"	1" - 11	19.5	73.5	10.6	62.0	41.0		
M80892-16-12	25	- 16	1"	3/4" - 14	15.0	90.0	8.5	70.0	32.0		
M80892-16-16	25	- 16	1"	1" - 11	19.5	83.0	10.6	76.0	41.0		
M80892-16-16058	25	- 16	1"	1" - 11	19.5	74.5	10.6	58.5	41.0		
M80892-16-20	25	- 16	1"	1.1/4" - 11	26.1	96.0	10.5	78.5	50.0		
M80892-20-16	31	- 20	1.1/4"	1" - 11	19.5	90.0	10.6	76.0	41.0		
M80892-20-20	31	- 20	1.1/4"	1.1/4" - 11	26.0	88.0	10.5	83.5	50.0		
M80892-20-24	31	- 20	1.1/4"	1.1/2" - 11	32.0	88.0	12.5	92.0	60.0		
M80892-24-24	38	- 24	1.1/2"	1.1/2" - 11	32.0	103.0	12.5	98.5	60.0		
M80892-32-32	51	- 32	2"	2" - 11	42.0	135.9	16.1	140.5	70.0		